



Made in the USA
with USA made materials,
metric flange bolts, spacers,
pulleys, & tensioners

Scan to visit our web site



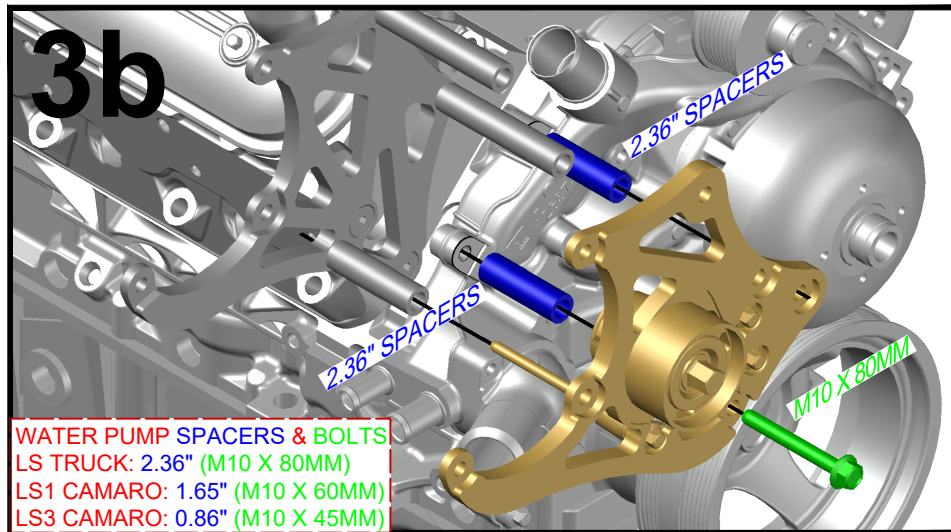
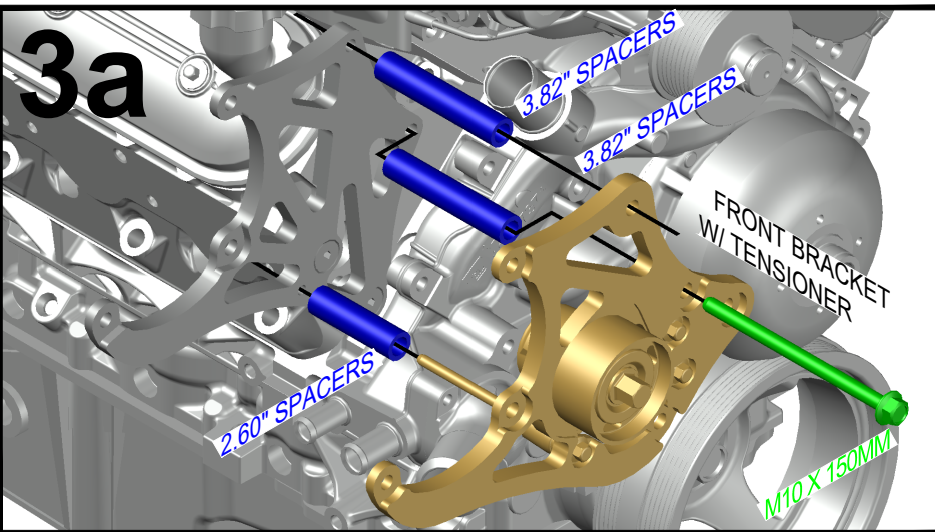
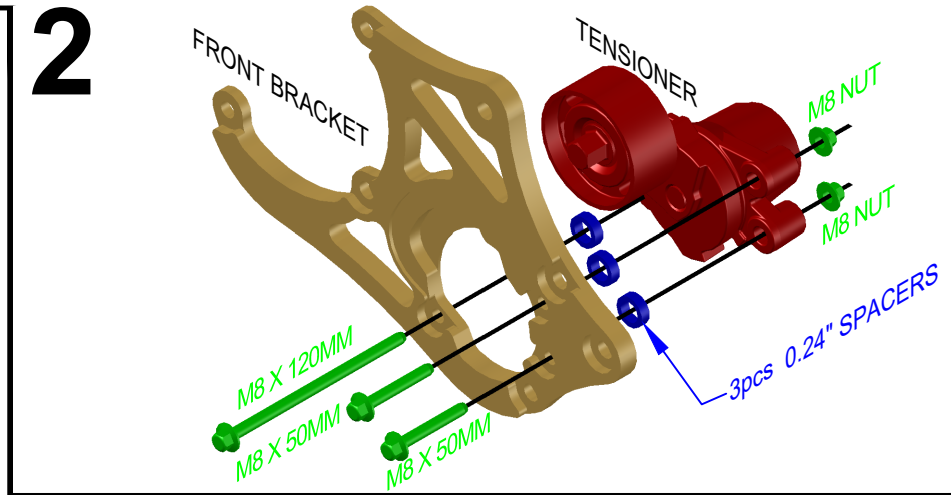
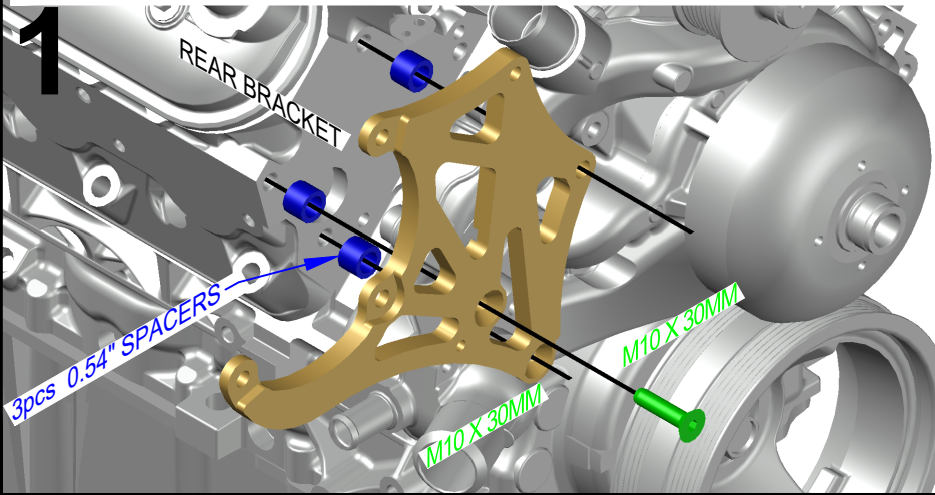
www.ictbillet.com

Technical
Support

www.ictbillet.com
email: sales@ictbillet.com
Phone: 316-300-0833

Supplemental Instructions for Four Seasons 508 OEM Compressor

IF USING VINTAGE AIR OR NON-OEM SANDEN 508 COMPRESSOR, REFER TO ORIGINAL INSTRUCTION SHEET.



WATER PUMP SPACERS & BOLTS
 LS TRUCK: 2.36" (M10 X 80MM)
 LS1 CAMARO: 1.65" (M10 X 60MM)
 LS3 CAMARO: 0.86" (M10 X 45MM)

IN
10ths

1
2
3
4
5
6
7

MM

10
20
30
40
50
60
70
80
90
100
110
120
130
140
150
160
170
180



Made in the USA with USA made materials, metric flange bolts, spacers, pulleys, & tensioners

Scan to visit our web site



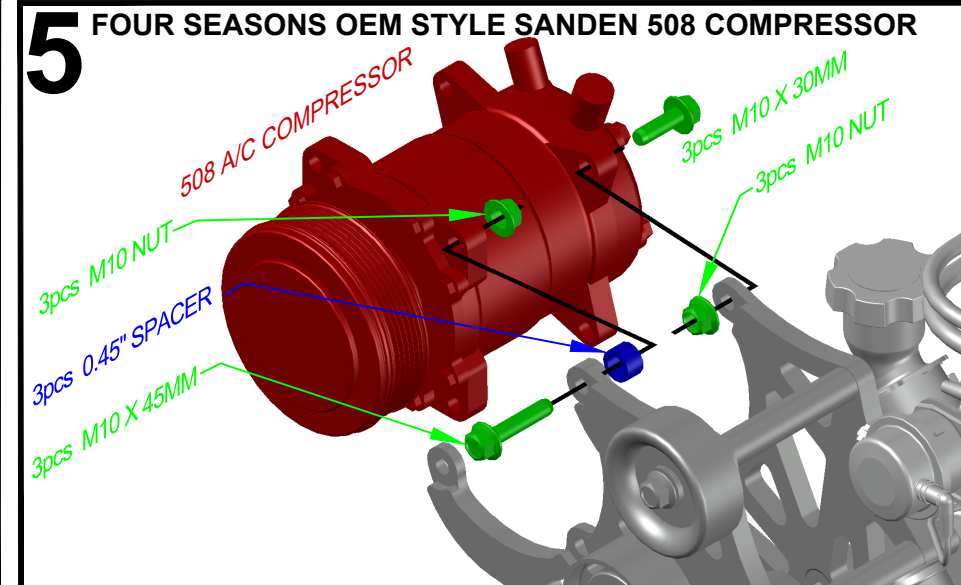
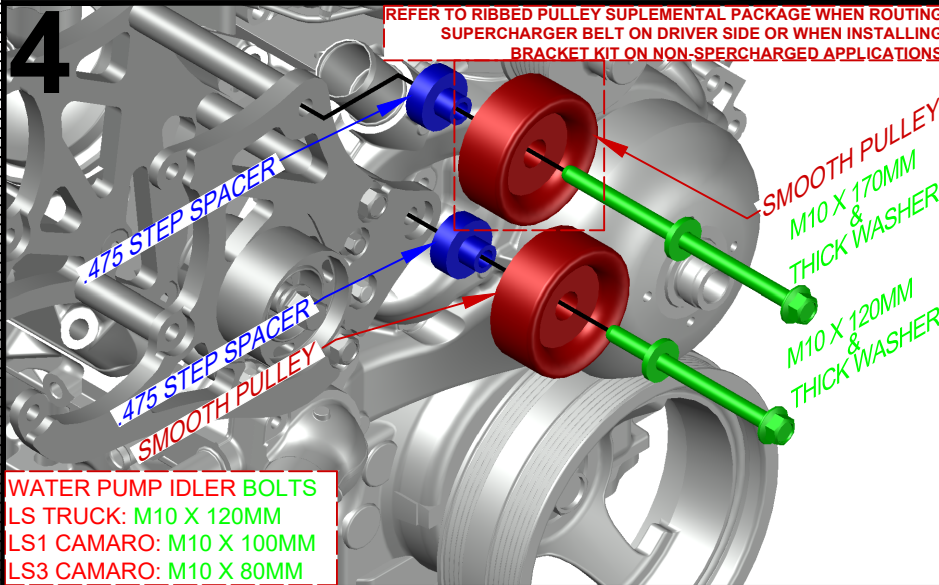
www.ictbillet.com



Supplemental Instructions for Four Seasons 508 OEM Compressor - Page 2

Technical Support

www.ictbillet.com
email: sales@ictbillet.com
Phone: 316-300-0833



BELT ROUTINGS SHOWN ON PAGE 2 OF RIBBED PULLEY SUPPLEMENTAL INSTRUCTIONS