

551399-3 LS TRUCK AND LS3 CAMARO WATER PUMP ONLY



Made in the USA
with USA made materials,
metric flange bolts, spacers,
pulleys, & tensioners

Scan for Installation Video



youtu.be/4T7I3azEcM

IN
10ths
-1
-2
-3
-4
-5
-6
-7

MM
10
20
30
40
50
60
70
80
90
100
110
120
130
140
150
160
170
180



UPC

656729843994



FNSKU

X000XCQZA5

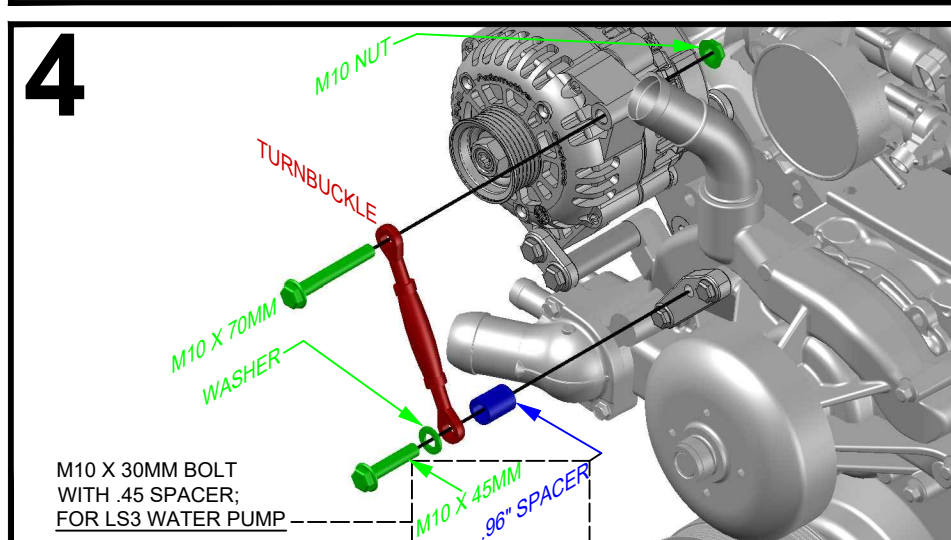
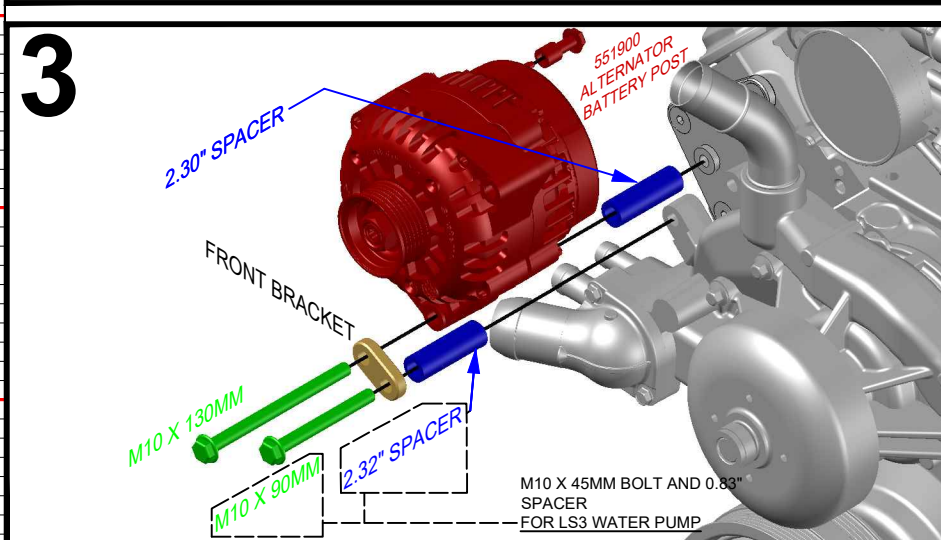
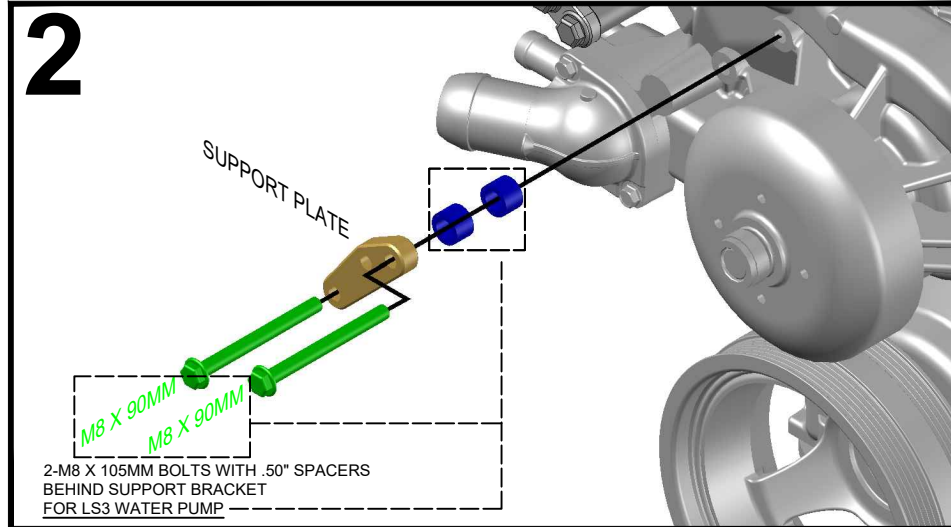
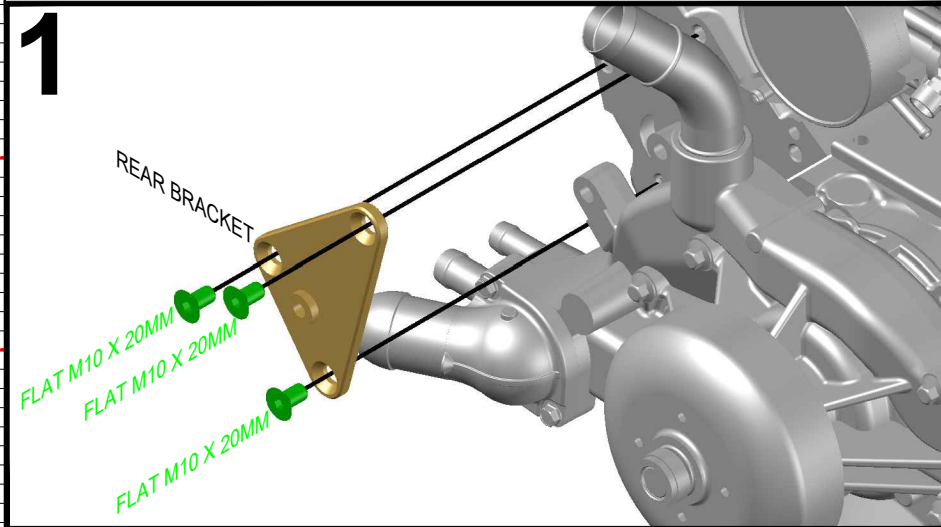


(LS1 water pump on opposite side of page)

Technical Support

www.ictbillet.com
email: sales@ictbillet.com
Phone: 316-300-0833

WARNING: Cancer and Reproductive Harm - www.P65Warnings.ca.gov



WARNING: Proposition 65 - This product can expose you to chemicals including lead, which is known to the State of California to cause cancer, birth defects, or other reproductive harm. For more information go to www.P65Warnings.ca.gov **ALUMINUM** - Most of the aluminum alloys used today contain some level of lead, usually less than .1%. Lead is known to the state of California to cause cancer and reproductive harm. Most aluminum alloys are physiologically inert in their solid form, and the lead is contained within, however user-generated dust and/or fumes may pose a hazard if inhaled or ingested. Heating beyond a certain temperature may also provide avenues for exposure. **STEEL BOLTS** - Steel is an iron alloy with several metals including Nickel and Chromium. Both Nickel and Chromium are known to the State of California to cause cancer and reproductive harm, respectfully. This warning applies to stainless steels as well.

IN
10ths

551399-3 LS TRUCK WITH LS1 CAMARO WATER PUMP ONLY

(LS Truck and LS3 Camaro water pump on opposite side of page)



Made in the USA
with USA made materials,
metric flange bolts, spacers,
pulleys, & tensioners

Scan for Installation Video



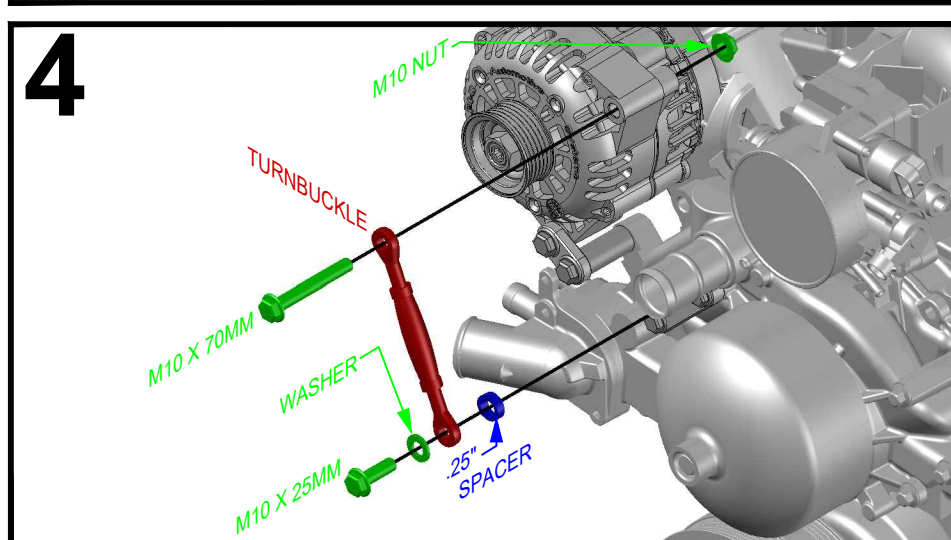
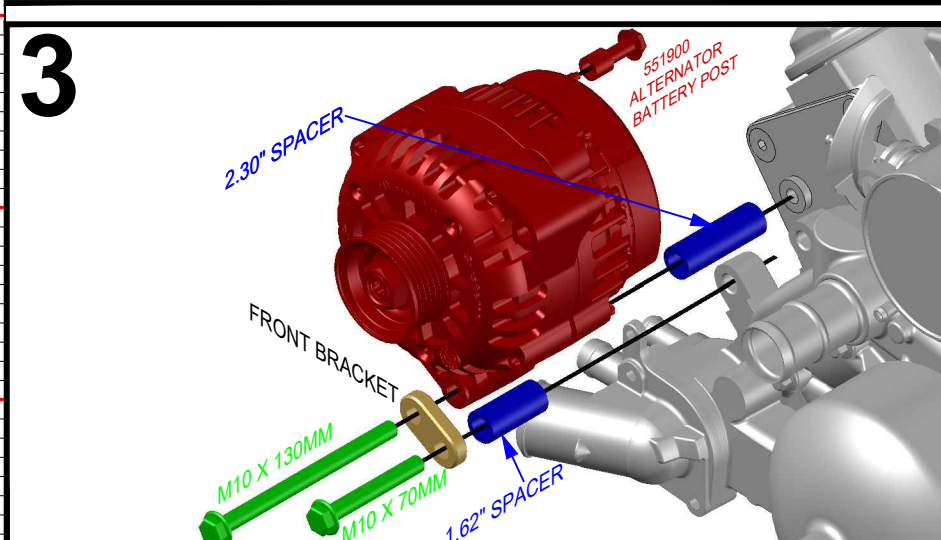
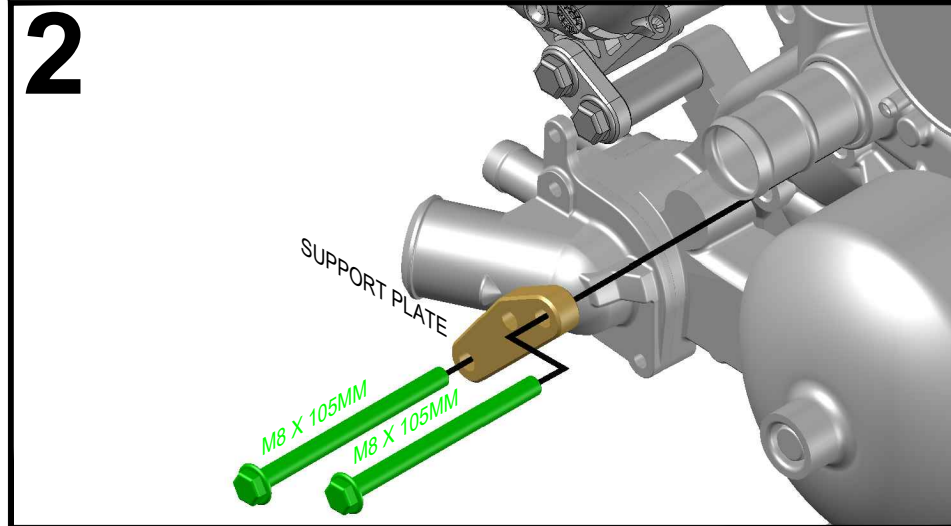
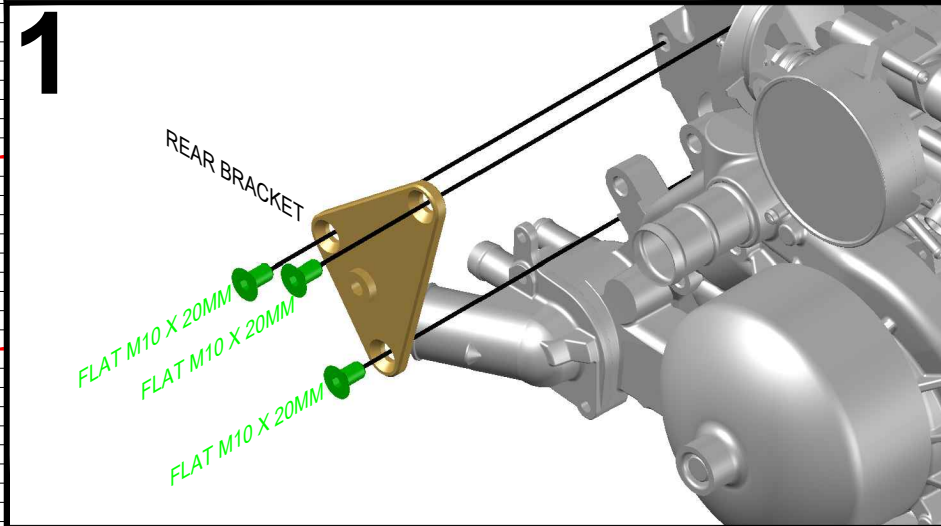
youtu.be/4T7I3azEcM

Technical
Support

www.ictbillet.com
email: sales@ictbillet.com
Phone: 316-300-0833

MM
10
20
30
40
50
60
70
80
90
100
110
120
130
140
150
160
170
180

! WARNING: Cancer and Reproductive Harm - www.P65Warnings.ca.gov



! WARNING: Proposition 65 - This product can expose you to chemicals including lead, which is known to the State of California to cause cancer, birth defects, or other reproductive harm. For more information go to www.P65Warnings.ca.gov

ALUMINUM - Most of the aluminum alloys used today contain some level of lead, usually less than .1%. Lead is known to the state of California to cause cancer and reproductive harm. Most aluminum alloys are physiologically inert in their solid form, and the lead is contained within, however user-generated dust and/or fumes may pose a hazard if inhaled or ingested. Heating beyond a certain temperature may also provide avenues for exposure.

STEEL BOLTS - Steel is an iron alloy with several metals including Nickel and Chromium. Both Nickel and Chromium are known to the State of California to cause cancer and reproductive harm, respectfully. This warning applies to stainless steels as well.