

551474-1 CORVETTE SANDEN 508 A/C COMPRESSOR KIT



Made in the USA
with USA made materials,
metric flange bolts, spacers,
pulleys, & tensioners

Scan to visit our web site



www.ictbillet.com

Technical
Support

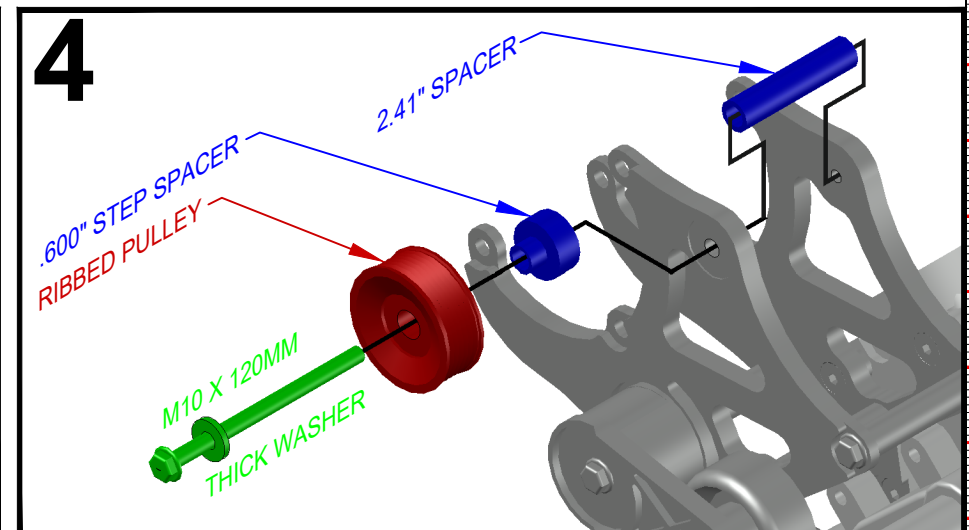
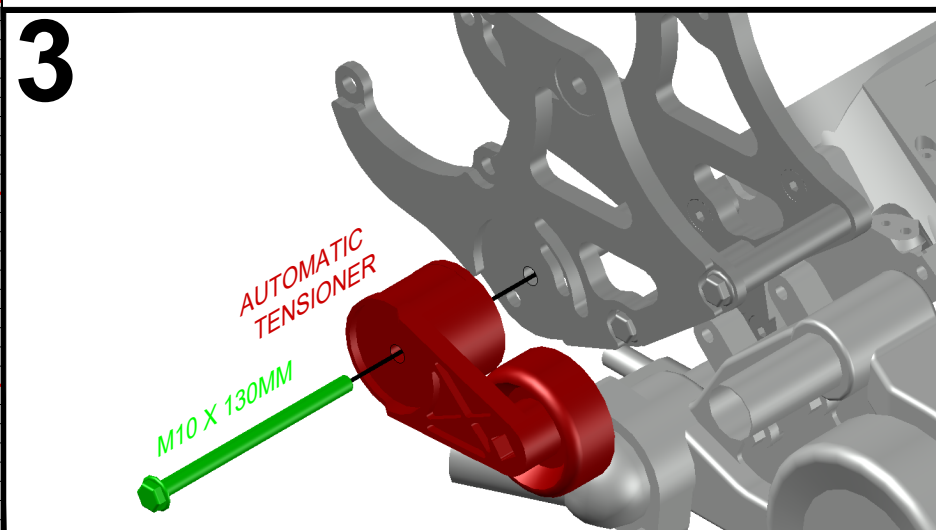
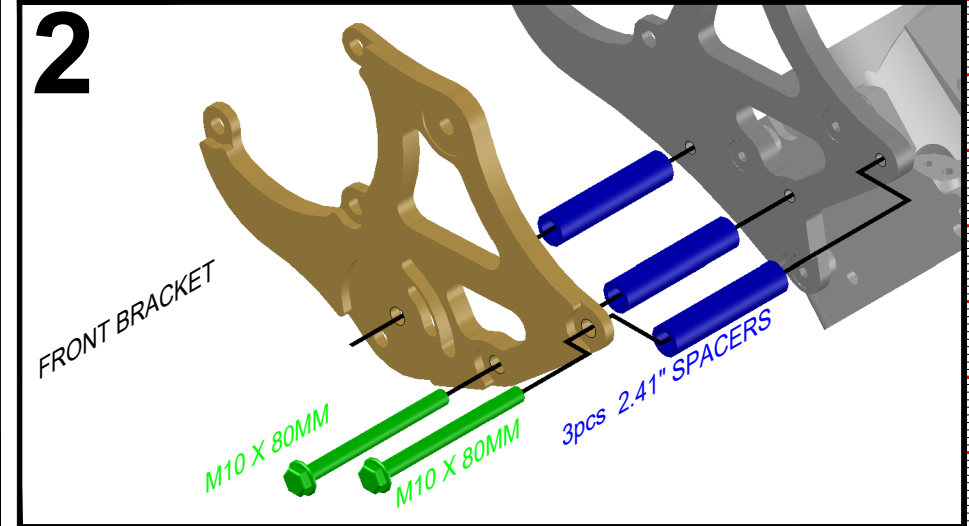
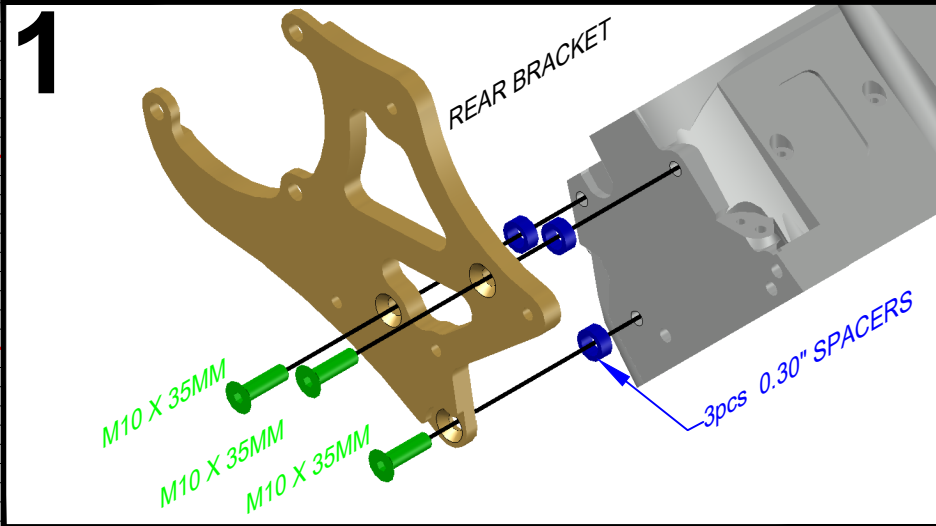
www.ictbillet.com
email: sales@ictbillet.com
Phone: 316-300-0833



797822587733



WARNING: Cancer and Reproductive Harm - www.P65Warnings.ca.gov



WARNING: Proposition 65 - This product can expose you to chemicals including lead, which is known to the State of California to cause cancer, birth defects, or other reproductive harm. For more information go to www.P65Warnings.ca.gov **ALUMINUM** - Most of the aluminum alloys used today contain some level of lead, usually less than .1%. Lead is known to the state of California to cause cancer and reproductive harm. Most aluminum alloys are physiologically inert in their solid form, and the lead is contained within, however user-generated dust and/or fumes may pose a hazard if inhaled or ingested. Heating beyond a certain temperature may also provide avenues for exposure. **STEEL BOLTS** - Steel is an iron alloy with several metals including Nickel and Chromium. Both Nickel and Chromium are known to the State of California to cause cancer and reproductive harm, respectfully. This warning applies to stainless steels as well.

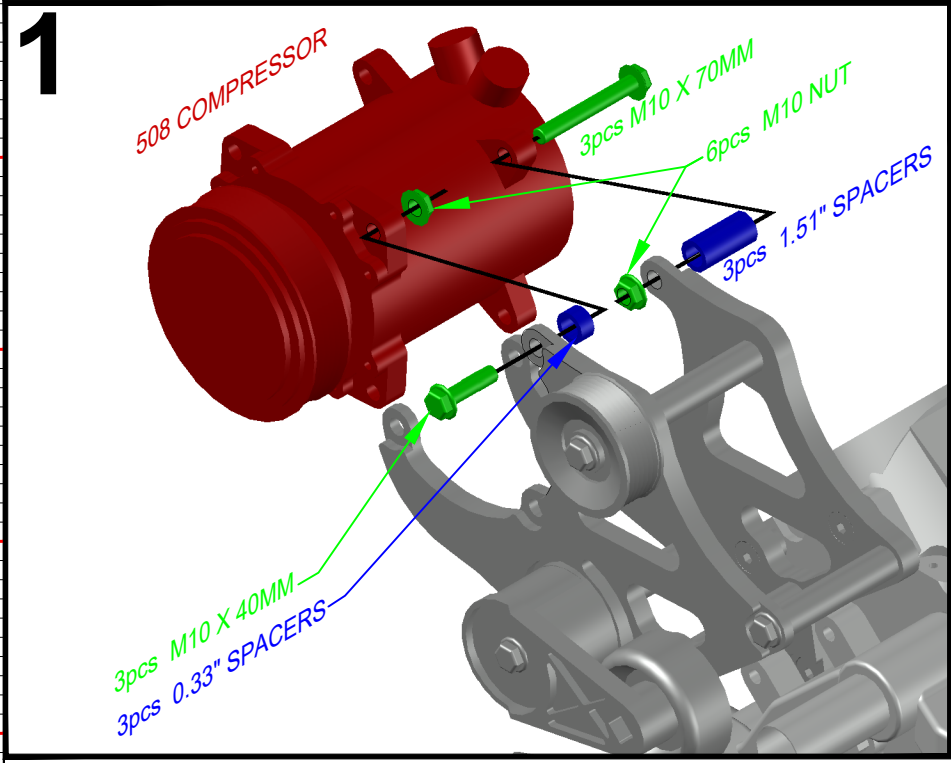
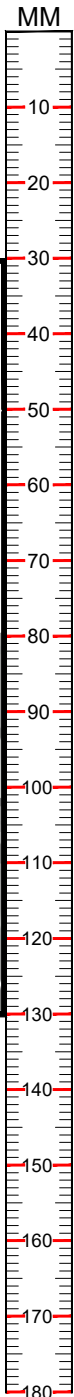
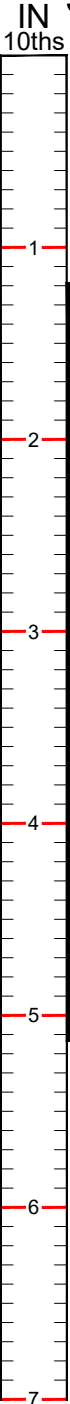
551474-1 CORVETTE SANDEN 508 A/C COMPRESSOR KIT



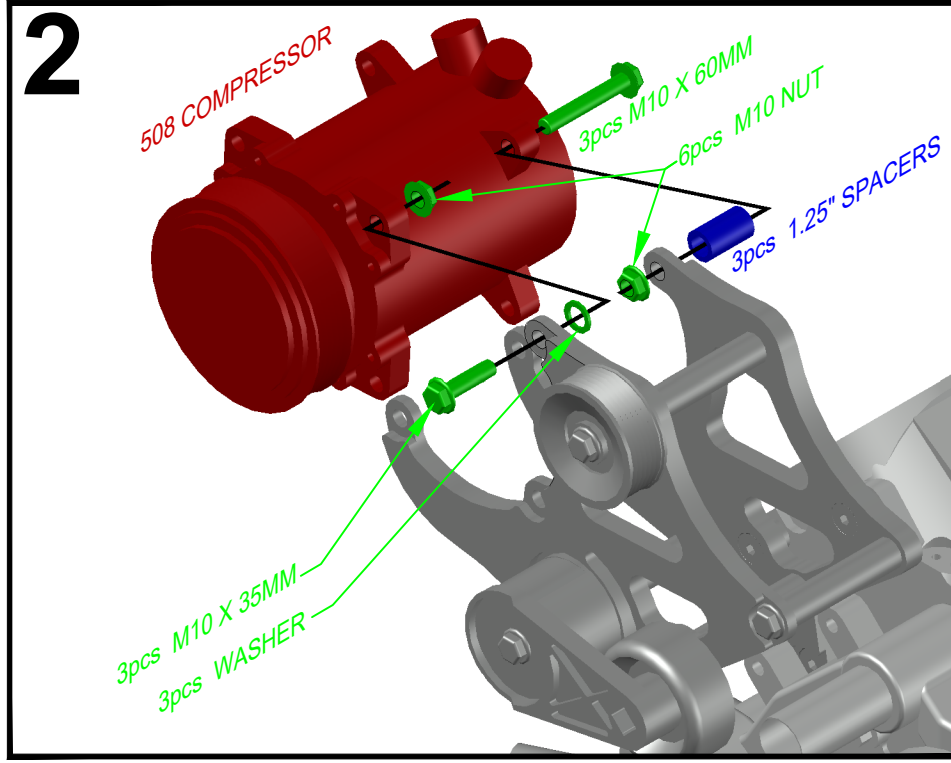
Made in the USA
with USA made materials,
metric flange bolts, spacers,
pulleys, & tensioners

Technical
Support

www.ictbillet.com
email: sales@ictbillet.com
Phone: 316-300-0833



FOUR SEASONS 57580 COMPRESSOR



VINTAGE AIR 508 COMPRESSOR

**CHOOSE COMPRESSOR
THEN USE ASSOCIATED BOLT/SPACER LENGTHS**