

551667EWP-3 LS TRUCK ALTERNATOR BRACKET - ELECTRIC WATER PUMP



Made in the USA
with USA made materials,
metric flange bolts, spacers,
pulleys, & tensioners

Scan to visit our web site



www.ictbillet.com



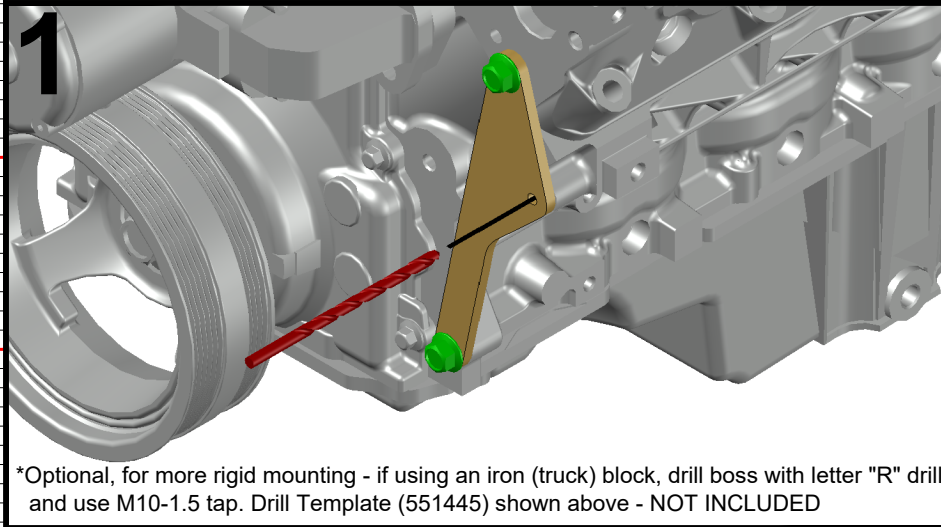
840117201835



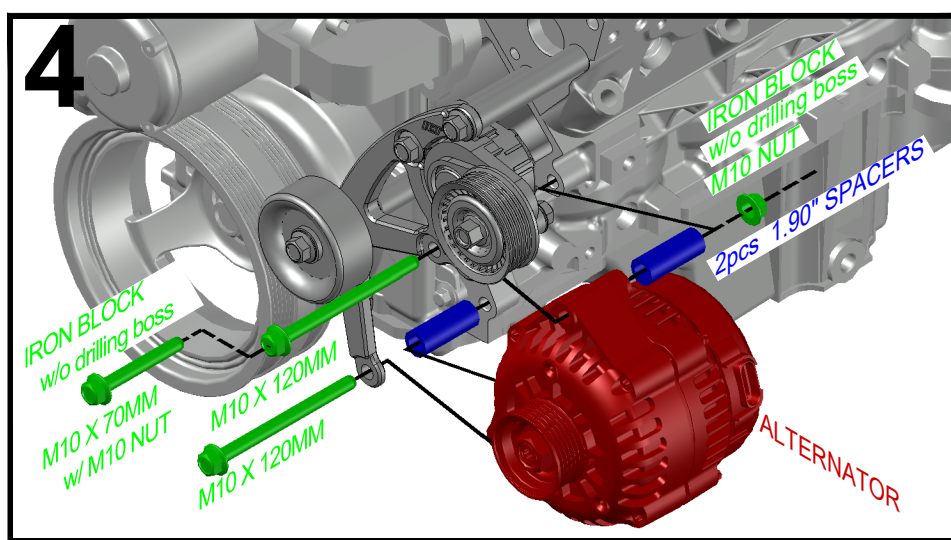
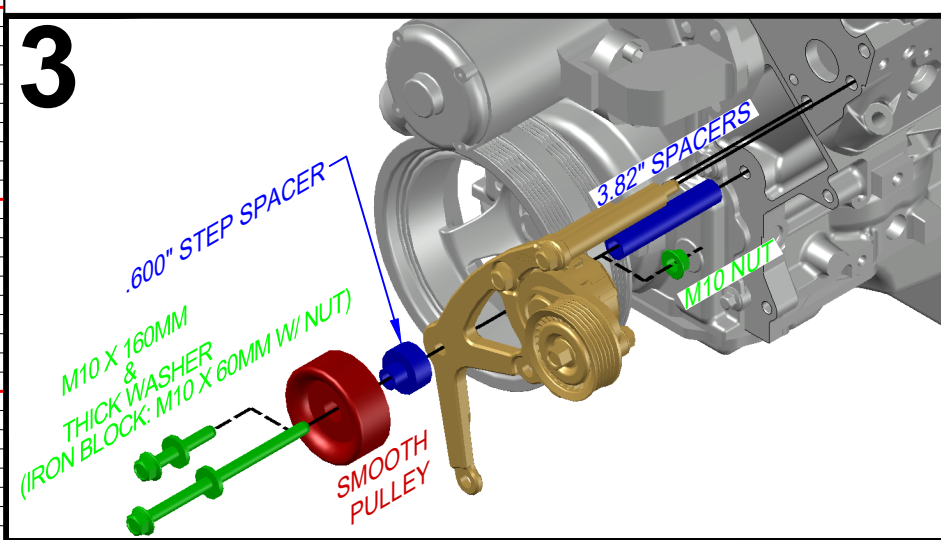
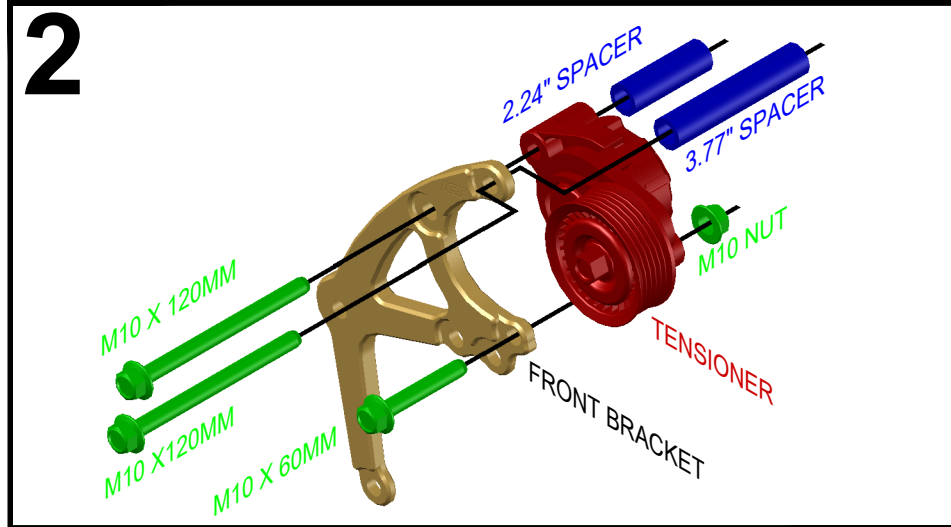
Technical Support

www.ictbillet.com
email: sales@ictbillet.com
Phone: 316-300-0833

⚠️ WARNING: Cancer and Reproductive Harm - www.P65Warnings.ca.gov



*Optional, for more rigid mounting - if using an iron (truck) block, drill boss with letter "R" drill and use M10-1.5 tap. Drill Template (551445) shown above - NOT INCLUDED



⚠️ WARNING: Proposition 65 - This product can expose you to chemicals including lead, which is known to the State of California to cause cancer, birth defects, or other reproductive harm. For more information go to www.P65Warnings.ca.gov
ALUMINUM - Most of the aluminum alloys used today contain some level of lead, usually less than .1%. Lead is known to the state of California to cause cancer and reproductive harm. Most aluminum alloys are physiologically inert in their solid form, and the lead is contained within, however user-generated dust and/or fumes may pose a hazard if inhaled or ingested. Heating beyond a certain temperature may also provide avenues for exposure.
STEEL BOLTS - Steel is an iron alloy with several metals including Nickel and Chromium. Both Nickel and Chromium are known to the State of California to cause cancer and reproductive harm, respectfully. This warning applies to stainless steels as well.

IN
10ths
1
2
3
4
5
6
7

MM
10
20
30
40
50
60
70
80
90
100
110
120
130
140
150
160
170
180