

551799-3 LS TRUCK ALTERNATOR RELOCATION KIT W/ TURNBUCKLE TENSIONER



Made in the USA
with USA made materials,
metric flange bolts, spacers,
pulleys, & tensioners

Scan to visit our web site



www.ictbillet.com

Technical Support

www.ictbillet.com
email: sales@ictbillet.com
Phone: 316-300-0833

UPC

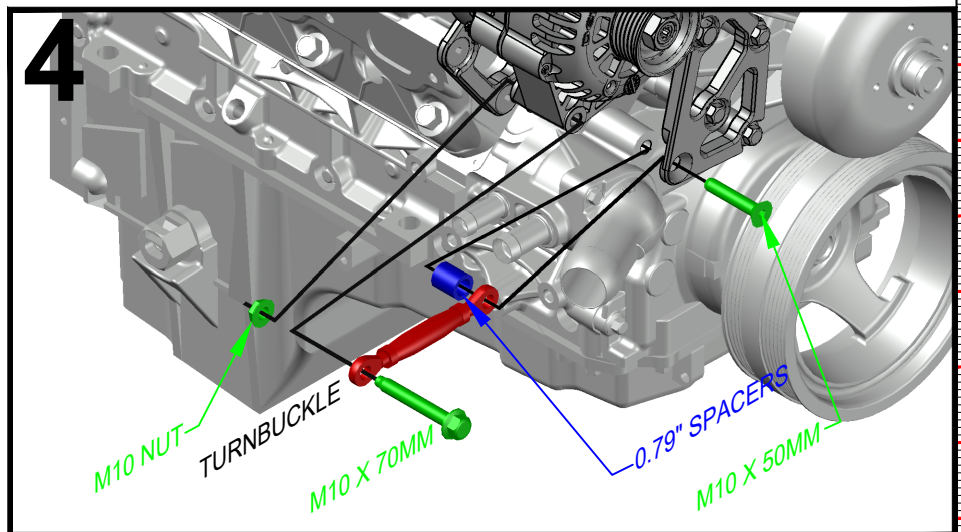
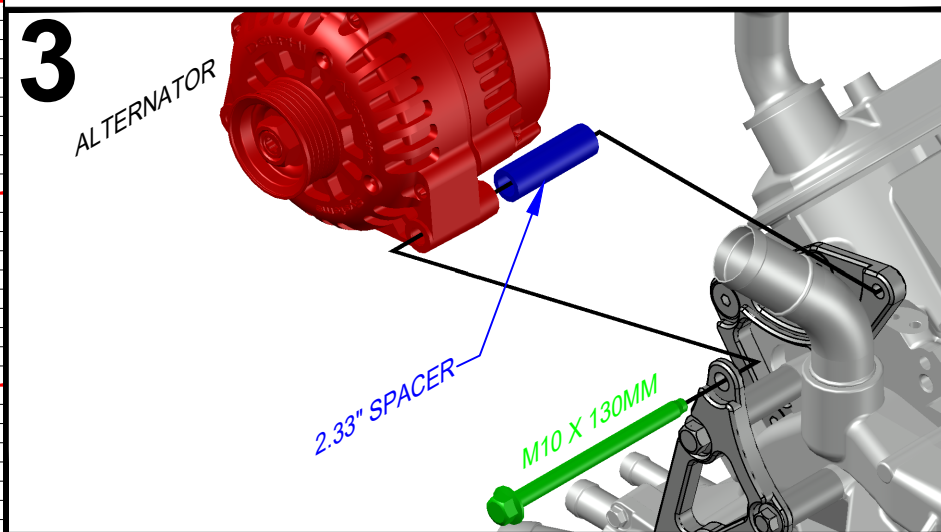
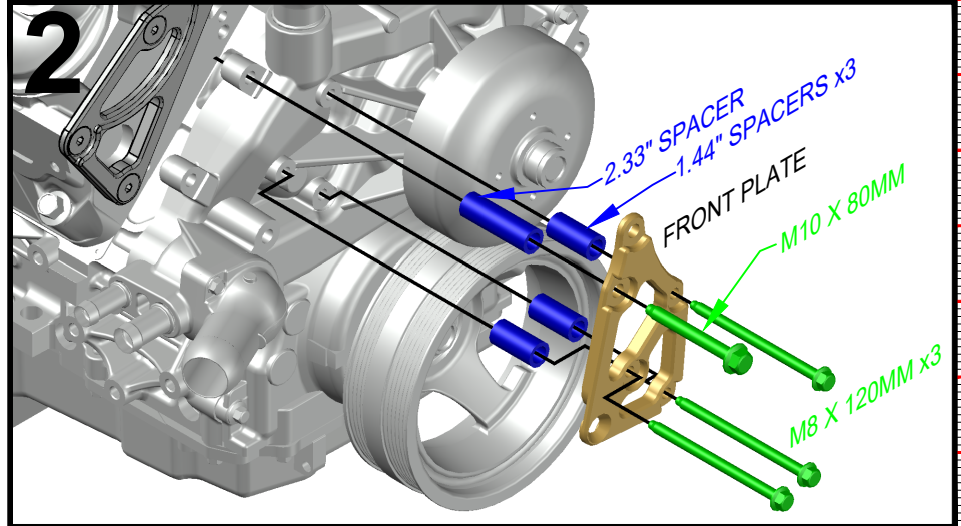
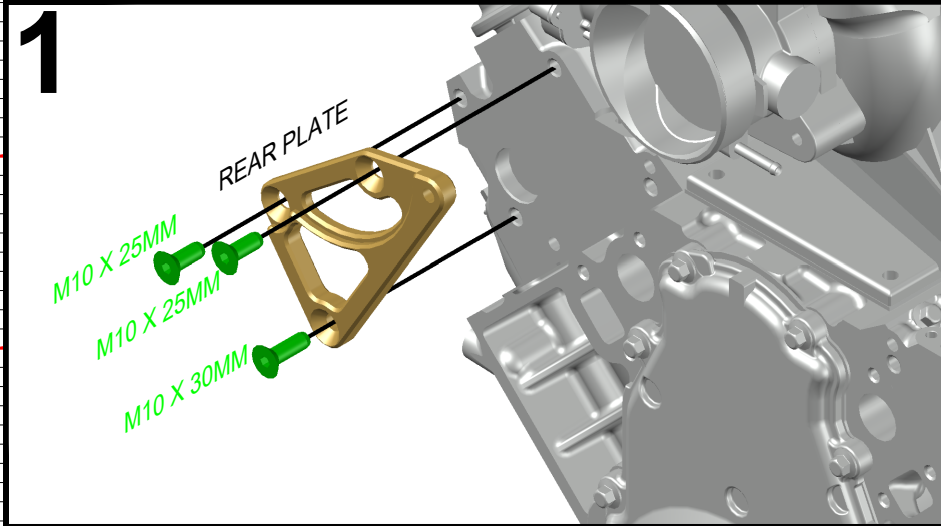


657814753464

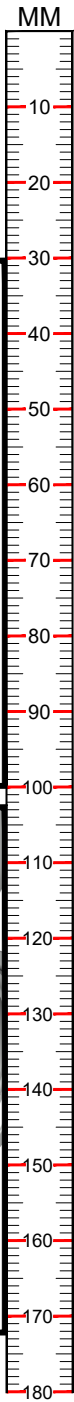
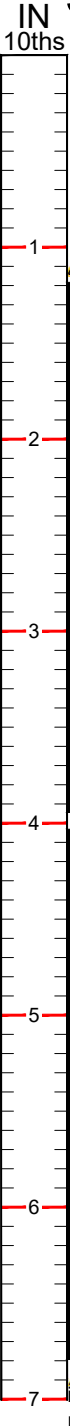


(LS1 and LS3 Camaro water pump
instructions on opposite side of page)

! WARNING: Cancer and Reproductive Harm - www.P65Warnings.ca.gov



! WARNING: Proposition 65 - This product can expose you to chemicals including lead, which is known to the State of California to cause cancer, birth defects, or other reproductive harm. For more information go to www.P65Warnings.ca.gov **ALUMINUM** - Most of the aluminum alloys used today contain some level of lead, usually less than .1%. Lead is known to the state of California to cause cancer and reproductive harm. Most aluminum alloys are physiologically inert in their solid form, and the lead is contained within, however user-generated dust and/or fumes may pose a hazard if inhaled or ingested. Heating beyond a certain temperature may also provide avenues for exposure. **STEEL BOLTS** - Steel is an iron alloy with several metals including Nickel and Chromium. Both Nickel and Chromium are known to the State of California to cause cancer and reproductive harm, respectfully. This warning applies to stainless steels as well.



551799-3 WITH LS3 OR LS1 CAMARO WATER PUMP

(Truck water pump instructions on opposite side of page) **LS1 WATER PUMP REQUIRES WATER PUMP SPACERS FOR CRANKSHAFT PULLEY COMPATIBILITY (ICT BILLET# 551690-71)



Scan to visit our web site



Made in the USA
with USA made materials,
metric flange bolts, spacers,
pulleys, & tensioners

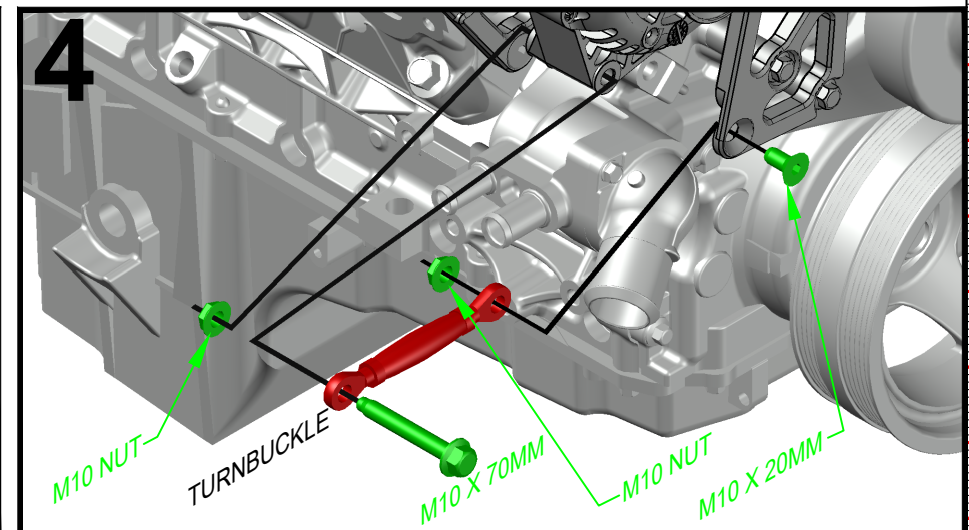
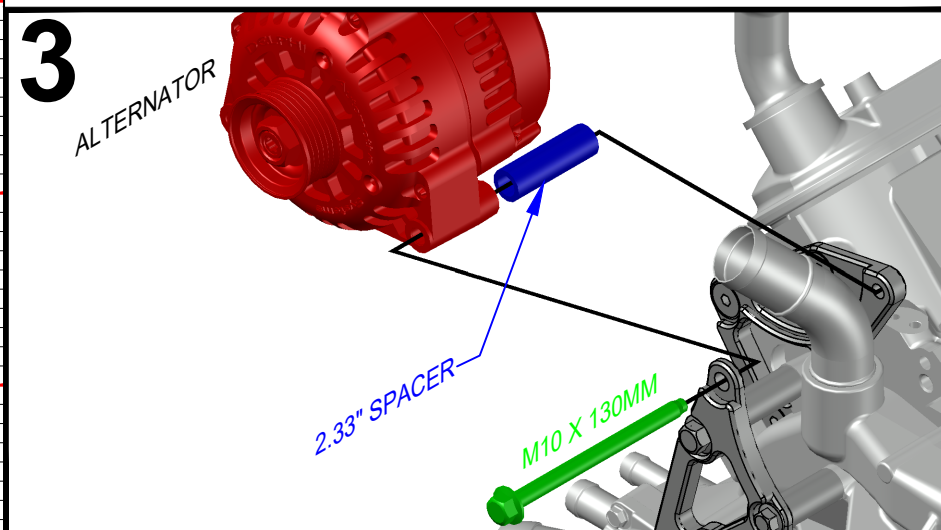
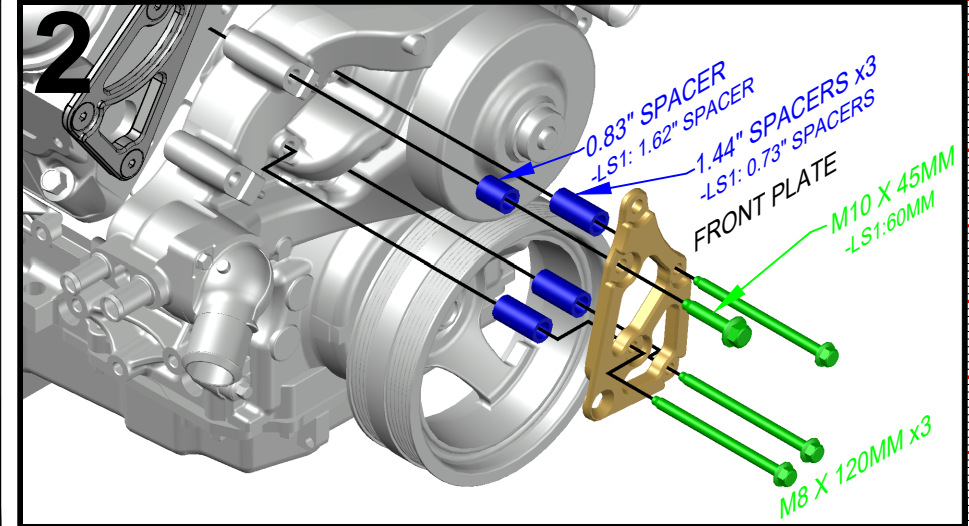
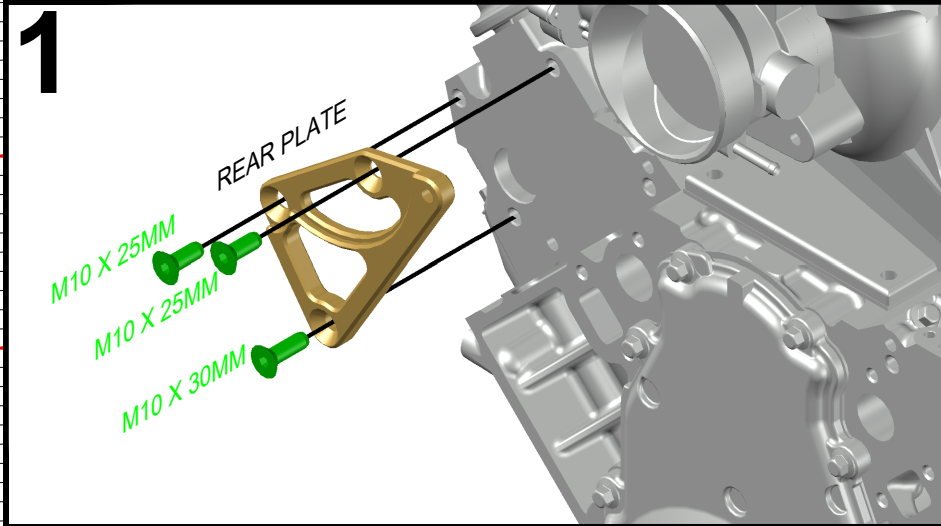
www.ictbillet.com

Technical Support

www.ictbillet.com
email: sales@ictbillet.com
Phone: 316-300-0833



WARNING: Cancer and Reproductive Harm - www.P65Warnings.ca.gov



WARNING: Proposition 65 - This product can expose you to chemicals including lead, which is known to the State of California to cause cancer, birth defects, or other reproductive harm. For more information go to www.P65Warnings.ca.gov **ALUMINUM** - Most of the aluminum alloys used today contain some level of lead, usually less than .1%. Lead is known to the state of California to cause cancer and reproductive harm. Most aluminum alloys are physiologically inert in their solid form, and the lead is contained within, however user-generated dust and/or fumes may pose a hazard if inhaled or ingested. Heating beyond a certain temperature may also provide avenues for exposure. **STEEL BOLTS** - Steel is an iron alloy with several metals including Nickel and Chromium. Both Nickel and Chromium are known to the State of California to cause cancer and reproductive harm, respectfully. This warning applies to stainless steels as well.