

551887-3 ALTERNATOR BRACKET KIT

IN
10ths



840117202337



Made in the USA
with USA made materials,
metric flange bolts, spacers,
pulleys, & tensioners

Scan to visit our web site



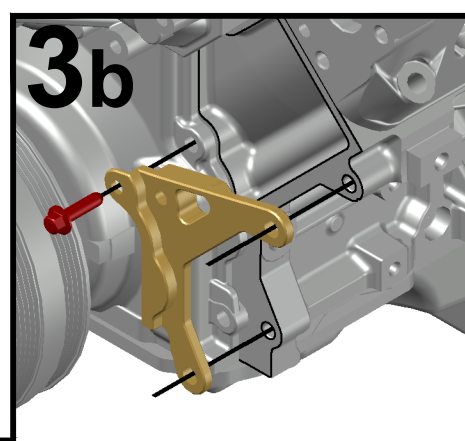
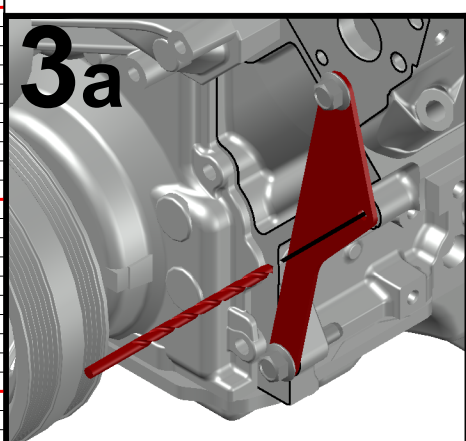
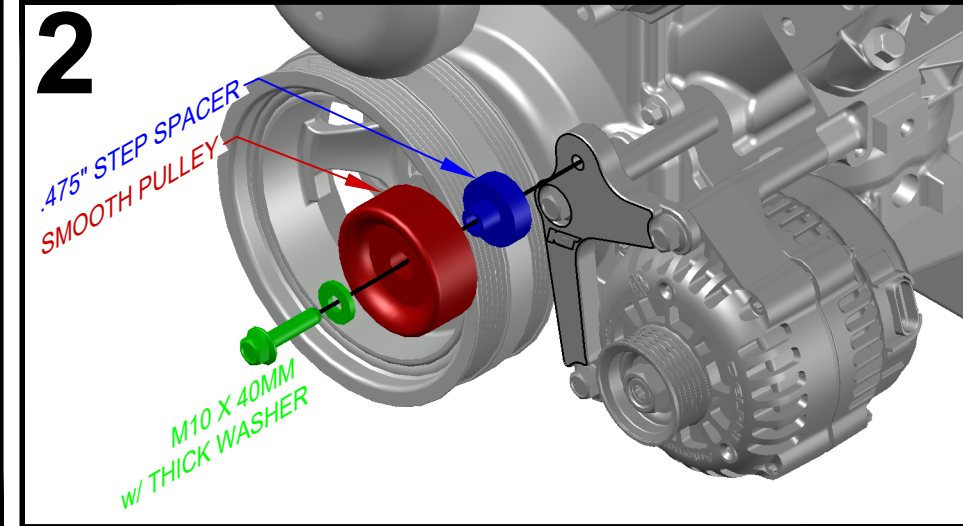
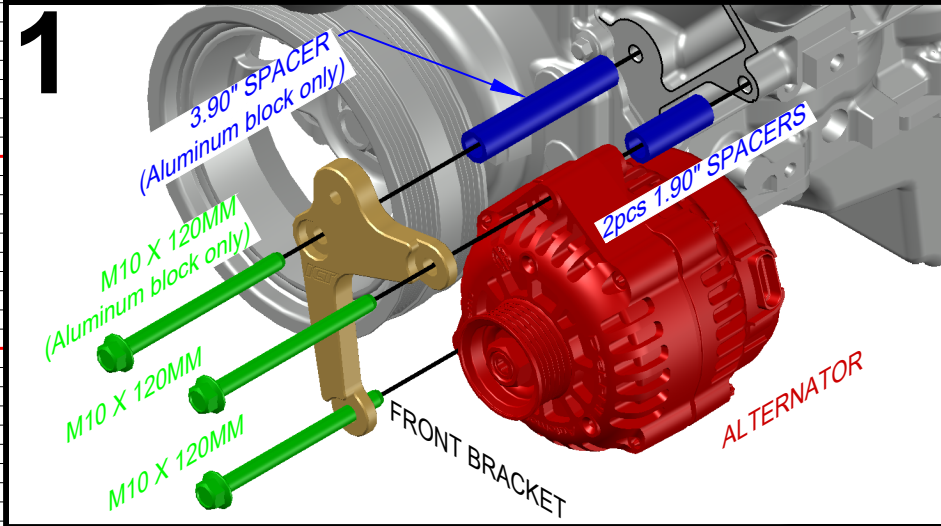
www.ictbillet.com

Technical
Support

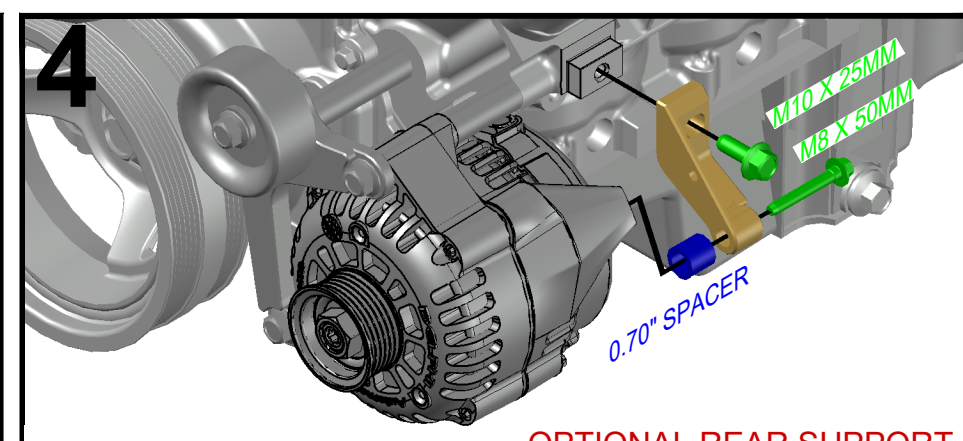
www.ictbillet.com
email: sales@ictbillet.com
Phone: 316-300-0833

MM
10
20
30
40
50
60
70
80
90
100
110
120
130
140
150
160
170
180

⚠ WARNING: Cancer and Reproductive Harm - www.P65Warnings.ca.gov



****IF INSTALLING ON IRON BLOCKS WITHOUT THREE MOUNTING HOLES, THE ICT IRON BLOCK SUPPORT BRACKET IS REQUIRED (ICT#: 551921-LS01 SOLD SEPARATELY)**



OPTIONAL REAR SUPPORT FOR ALTERNATORS WITH REAR MOUNTING WING

⚠ WARNING: Proposition 65 - This product can expose you to chemicals including lead, which is known to the State of California to cause cancer, birth defects, or other reproductive harm. For more information go to www.P65Warnings.ca.gov **ALUMINUM** - Most of the aluminum alloys used today contain some level of lead, usually less than .1%. Lead is known to the state of California to cause cancer and reproductive harm. Most aluminum alloys are physiologically inert in their solid form, and the lead is contained within, however user-generated dust and/or fumes may pose a hazard if inhaled or ingested. Heating beyond a certain temperature may also provide avenues for exposure. **STEEL BOLTS** - Steel is an iron alloy with several metals including Nickel and Chromium. Both Nickel and Chromium are known to the State of California to cause cancer and reproductive harm, respectfully. This warning applies to stainless steels as well.