

551921-LS01 IRON BLOCK SUPPORT BRACKET



Made in the USA
with USA made materials,
metric flange bolts, spacers,
pulleys, & tensioners

Scan to visit our web site



www.ictbillet.com

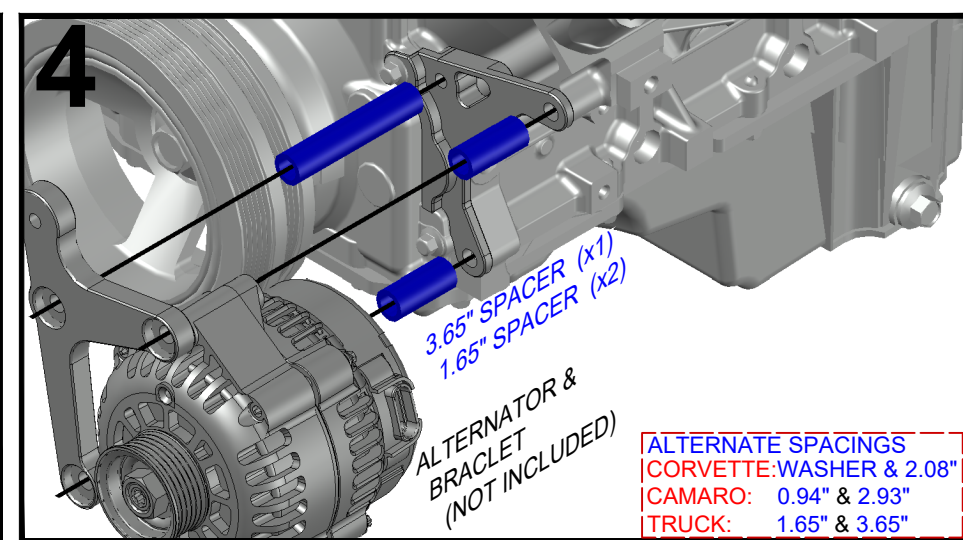
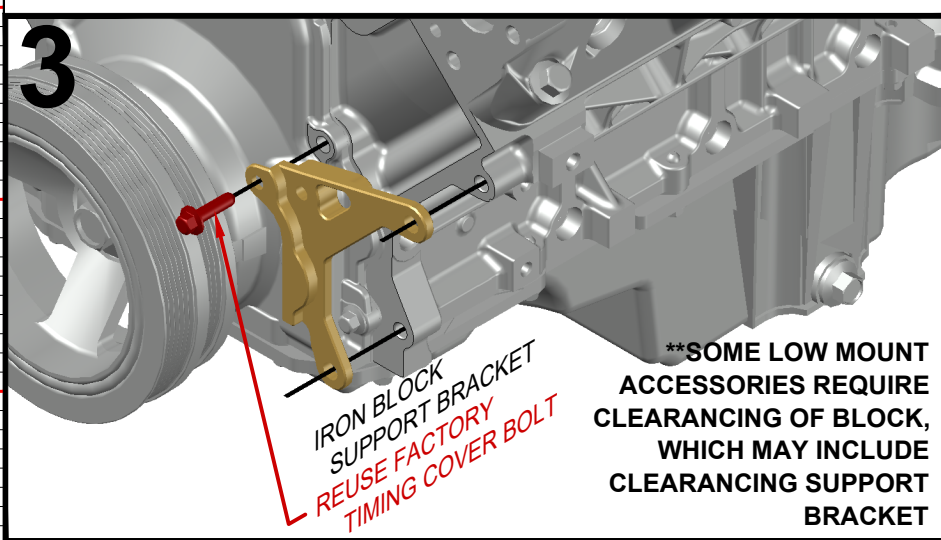
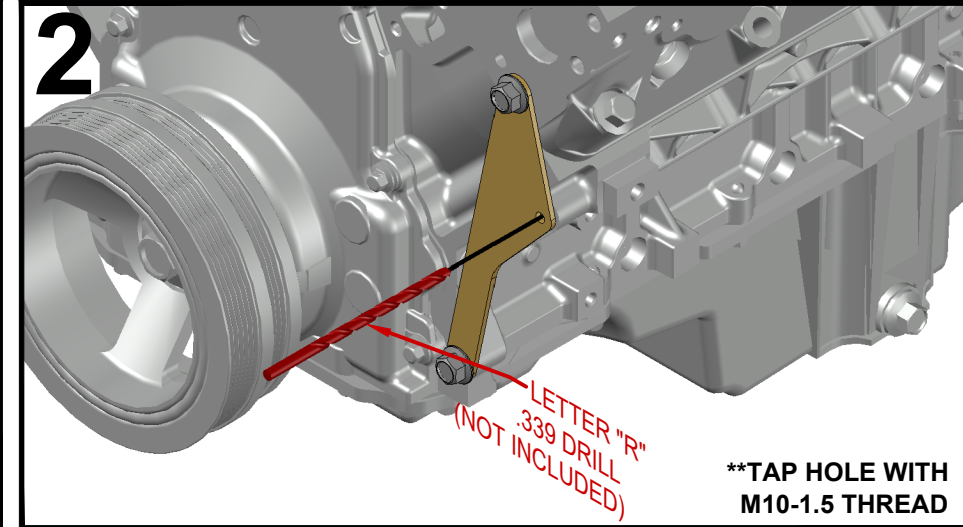
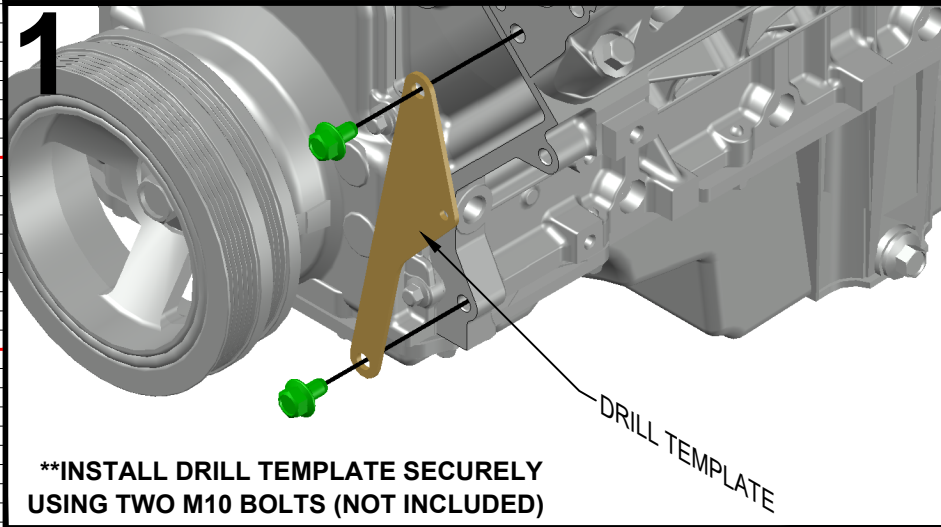


840117203488

WARNING: Cancer and Reproductive Harm - www.P65Warnings.ca.gov
FOR MECHANICAL FUEL PUMP INSTRUCTIONS - SEE SIDE 2

Technical Support

www.ictbillet.com
email: sales@ictbillet.com
Phone: 316-300-0833



WARNING: Proposition 65 - This product can expose you to chemicals including lead, which is known to the State of California to cause cancer, birth defects, or other reproductive harm. For more information go to www.P65Warnings.ca.gov

ALUMINUM - Most of the aluminum alloys used today contain some level of lead, usually less than .1%. Lead is known to the state of California to cause cancer and reproductive harm. Most aluminum alloys are physiologically inert in their solid form, and the lead is contained within, however user-generated dust and/or fumes may pose a hazard if inhaled or ingested. Heating beyond a certain temperature may also provide avenues for exposure.

STEEL BOLTS - Steel is an iron alloy with several metals including Nickel and Chromium. Both Nickel and Chromium are known to the State of California to cause cancer and reproductive harm, respectfully. This warning applies to stainless steels as well.

IN
10ths

1

2

3

4

5

6

7

MM

10

20

30

40

50

60

70

80

90

100

110

120

130

140

150

160

170

180

551921-LS01 IRON BLOCK SUPPORT BRACKET



Made in the USA
with USA made materials,
metric flange bolts, spacers,
pulleys, & tensioners

Scan to visit our web site

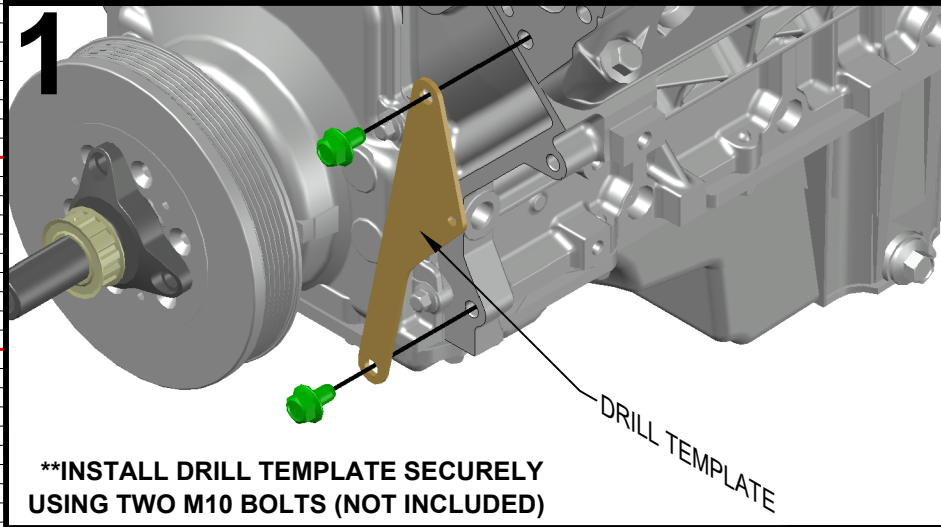


www.ictbillet.com

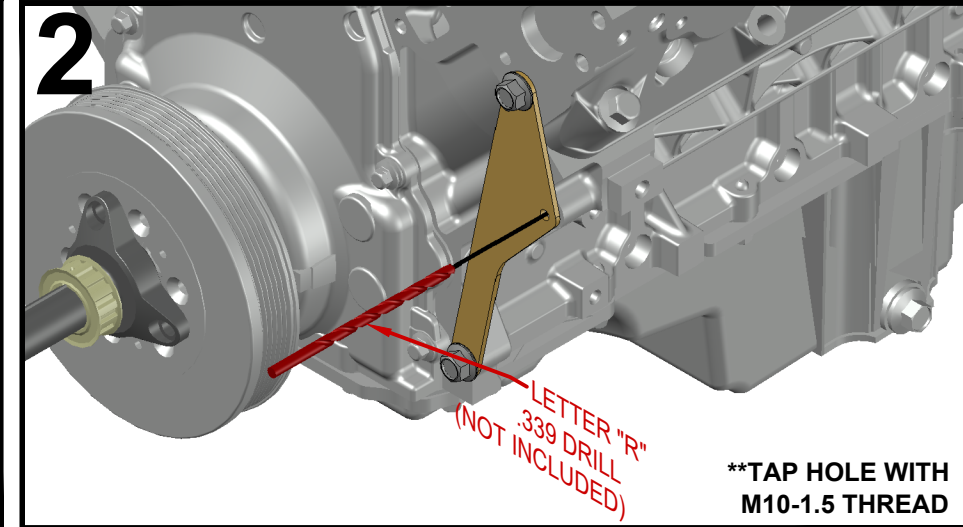
Technical
Support

www.ictbillet.com
email: sales@ictbillet.com
Phone: 316-300-0833

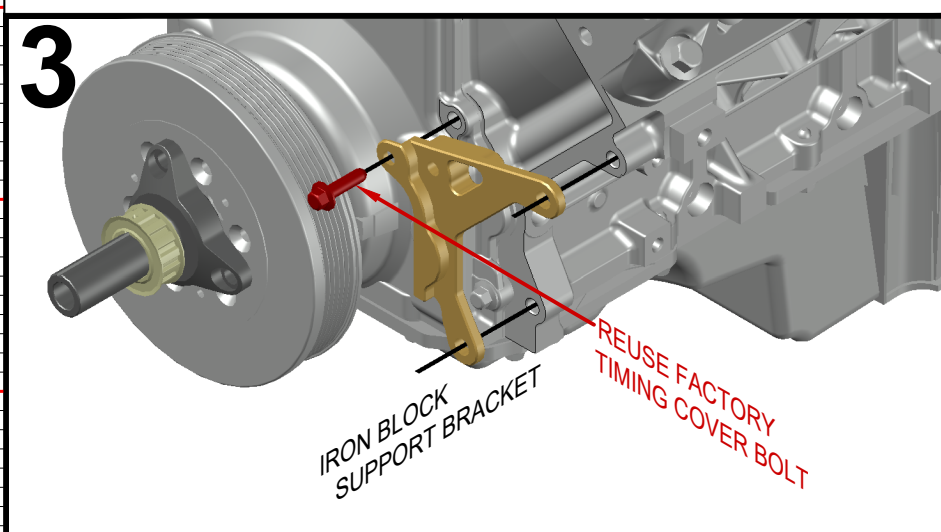
WARNING: Cancer and Reproductive Harm - www.P65Warnings.ca.gov
FOR ALTERNATOR BRACKET INSTRUCTIONS - SEE SIDE 1



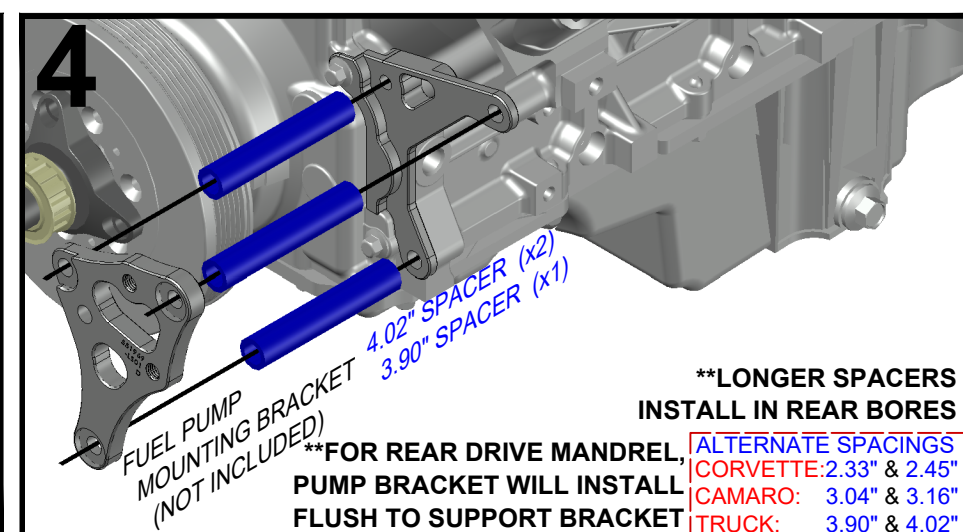
****INSTALL DRILL TEMPLATE SECURELY USING TWO M10 BOLTS (NOT INCLUDED)**



****TAP HOLE WITH M10-1.5 THREAD**



IRON BLOCK SUPPORT BRACKET
REUSE FACTORY TIMING COVER BOLT



FUEL PUMP MOUNTING BRACKET (NOT INCLUDED)
****LONGER SPACERS INSTALL IN REAR BORES**
****FOR REAR DRIVE MANDREL, PUMP BRACKET WILL INSTALL FLUSH TO SUPPORT BRACKET**
ALTERNATE SPACINGS
CORVETTE: 2.33" & 2.45"
CAMARO: 3.04" & 3.16"
TRUCK: 3.90" & 4.02"

WARNING: Proposition 65 - This product can expose you to chemicals including lead, which is known to the State of California to cause cancer, birth defects, or other reproductive harm. For more information go to www.P65Warnings.ca.gov **ALUMINUM** - Most of the aluminum alloys used today contain some level of lead, usually less than .1%. Lead is known to the state of California to cause cancer and reproductive harm. Most aluminum alloys are physiologically inert in their solid form, and the lead is contained within, however user-generated dust and/or fumes may pose a hazard if inhaled or ingested. Heating beyond a certain temperature may also provide avenues for exposure. **STEEL BOLTS** - Steel is an iron alloy with several metals including Nickel and Chromium. Both Nickel and Chromium are known to the State of California to cause cancer and reproductive harm, respectfully. This warning applies to stainless steels as well.

